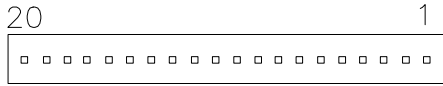


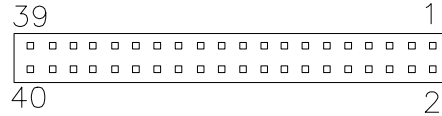
# ID250 Connectors

## J1: LVDS Connector



Pin	Signal	Pin	Signal
1	VDD	11	Y2+
2	VDD	12	Y2-
3	GND	13	GND
4	GND	14	Y1+
5	Y3+	15	Y1-
6	Y3-	16	GND
7	GND	17	Y0+
8	CLK+	18	Y0-
9	CLK-	19	GND
10	GND	20	GND

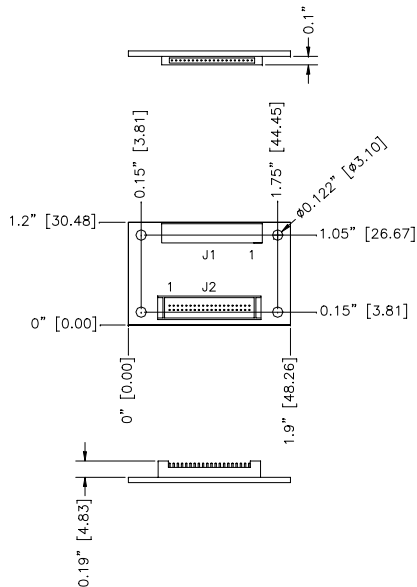
## J2: TTL Connector



Signal	Pin	Pin	Signal
VDD	1	2	VDD
GND	3	4	GND
VDD	5	6	VDD
GND	7	8	GND
RED0	9	10	RED1
RED2	11	12	RED3
RED4	13	14	RED5
RED6	15	16	RED7
GREEN0	17	18	GREEN1
GREEN2	19	20	GREEN3
GREEN4	21	22	GREEN5
GREEN6	23	24	GREEN7
BLUE0	25	26	BLUE1
BLUE2	27	28	BLUE3
BLUE4	29	30	BLUE5
BLUE6	31	32	BLUE7
GND	33	34	GND
CLOCK	35	36	VSYNC
ENABLE	37	38	HSYNC
GND	39	40	GND

## J2 Panel Interface Pin Reference

Pin	Signal	12-bit	18-bit	24-bit
9	D0	RED0	RED0	RED0
10	D1	RED1	RED1	RED1
11	D2	RED2	RED2	RED2
12	D3	RED3	RED3	RED3
13	D4	RSVD	RED4	RED4
14	D6	RSVD	RED5	RED5
15	D27	NA	NA	RED6
16	D5	NA	NA	RED7
17	D7	GREEN0	GREEN0	GREEN0
18	D8	GREEN1	GREEN1	GREEN1
19	D9	GREEN2	GREEN2	GREEN2
20	D12	GREEN3	GREEN3	GREEN3
21	D13	RSVD	GREEN4	GREEN4
22	D14	RSVD	GREEN5	GREEN5
23	D10	NA	NA	GREEN6
24	D11	NA	NA	GREEN7
25	D15	BLUE0	BLUE0	BLUE0
26	D18	BLUE1	BLUE1	BLUE1
27	D19	BLUE2	BLUE2	BLUE2
28	D20	BLUE3	BLUE3	BLUE3
29	D21	RSVD	BLUE4	BLUE4
30	D22	RSVD	BLUE5	BLUE5
31	D16	NA	NA	BLUE6
32	D17	NA	NA	BLUE7
38	D24	HSYNC	HSYNC	HSYNC
36	D25	VSYNC	VSYNC	VSYNC
37	D26	ENABLE	ENABLE	ENABLE
	D23	NA	NA	RSVD
35	CLKOUT	CLOCK	CLOCK	CLOCK



## ID250 TTL to LVDS Adapter Card USER'S GUIDE