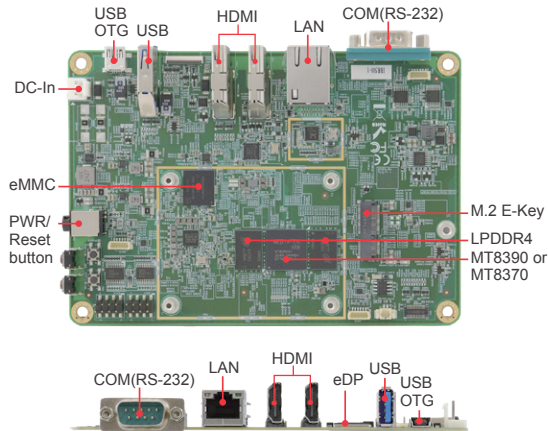


# IBR500

## Single Board Computer

Low-Power 3.5" SBC with MediaTek Genio 700/MT8390 or MediaTek Genio 510/MT8370 Processor



## Features

- MediaTek Genio 700 /MT8390 2.2GHz or MediaTek Genio 510 / MT8370 2.0GHz processor
- On board LPDDR4 4000MT/s on-board 4GB or 8GB
- 64GB or 128GB eMMC 5.1 Flash for O.S.
- HDMI 4K60, HDMI 4K30
- Embedded I/O for COM, GPIO, USB, Ethernet
- Supports M.2 E-Key (2230) for WiFi6 2T2R + BT 5.2 connectivity
- Ruggedized and fanless design

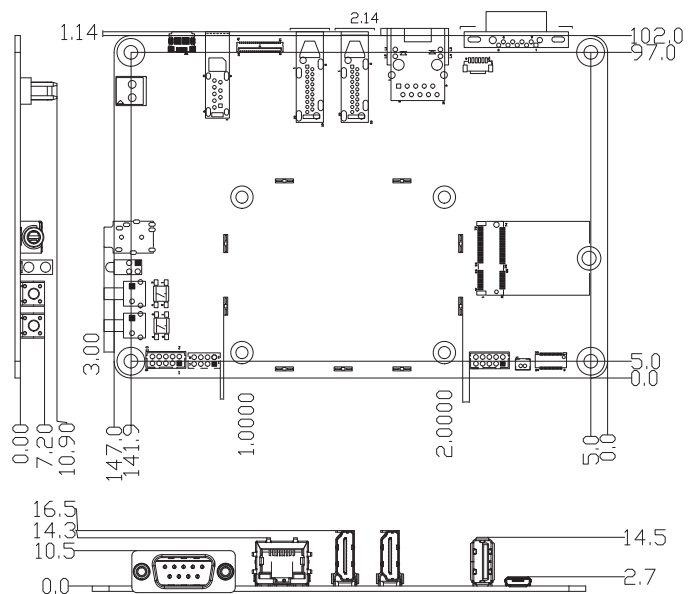
## Specifications

Form Factor	3.5-inch SBC
Processor	MediaTek Genio 700 2x A78 2.2GHz L2 256KB, 6x A55 2.0GHz L2 128KB, shared 2MB L3 cache
System Memory	LPDDR4 4000MT/s on-board 4GB~8GB 4ch 16-bits LPDDR4X@3733MHz, up to 8GB, 29.8GB/s DRAM BW
Flash Memory	64GB or 128GB eMMC 5.1 Flash for O.S.
Display	1x HDMI (4K60) + 1x HDMI (4K30)
Video Codec	Decode: 4K75fps, AV1, VP9, H.265, H.264 Encode: 4K30fps, H.265, H.264
Graphics	ARM Mali-G57 MC3, OpenGL ES 1.1/2.0/3.2, Vulkan 1.0/1.1
Edge I/O	1x COM port 1x LAN port 2x HDMI 2x On/Off button 1x USB 3.0 1x micro USB OTG 1x Reset button 1x Audio Line-Out 2x LEDs
Internal I/O	1x SPI in 2x 2 pin header Home & Power key in 2x2 Header 1x RS232(Debug) 1x 12V DC in connector
Expansion IO	1x M.2 E-Key (2230) w/ SDIO, UART (for Wireless) 6x GPIO in 2x pin header 1x I <sup>2</sup> C in 2x 2-pin header
Watchdog	256 Levels, 0~128 Secs
Dimensions	147mm x 102mm (5.78" x 4")
Power Input	12V DC-in by DC-Connector
Operating Temperature	With heat sink or through housing design: -10°C~+50°C (14°F ~122°F)
Relative Humidity	10%~90% (non-condensing)
OS Support	Yocto 5.15, Android 14, Other OS (by request)
Certification	CE/ FCC Class-B

## Ordering Information

IBR500	MediaTek Genio 700 Cortex A78 & A55, 8GB LPDDR4, 64~128GB eMMC 5.1
--------	--

## Dimensions



# IBR500

## Single Board Computer

Low-Power 3.5" SBC with MediaTek Genio 700/MT8390 or MediaTek Genio 510/MT8370 Processor

